



**Features:**

- 13 Functions
- 10 Time Ranges
- Front knobs for Time Range, Time Scale & Mode Setting
- Slim, Space Saving Design
- DIN Rail Mount

Size: DIN 17.5mm

Certifications:

**Technical Specifications**

**Input Specifications**

Accuracy	Setting: $\pm 5\%$ of F.S. Repeat: $\pm 0.5\%$ (F.S. = Full Scale)
Reset	Reset time < 100 msec

**Output Specifications**

Output Contact	SPDT (1 C/O)
Contact Rating	NO/5A, NC/3A@250V AC

**Functional Specifications**

Modes	On delay (A) Interval (B) Cyclic equal OFF first (C) Cyclic equal ON first (Ci) Pulse output, 500ms fixed (D) Delay on break (E) Delay on make / Delay on break (F) Interval after break (H) Single shot (I) Retriggerable Single shot (J) Latching relay (K) Delay with Totalise (Ai) Interval with totalise (Bi)
Time Ranges	0.1 - 1 sec, 0.3 - 3 sec, 1 - 10 sec, 3 - 30 sec 0.1 - 1 min, 0.3 - 3 min, 1 - 10 min, 3 - 30 min 0.1 - 1 hr, 0.3 - 3 hr

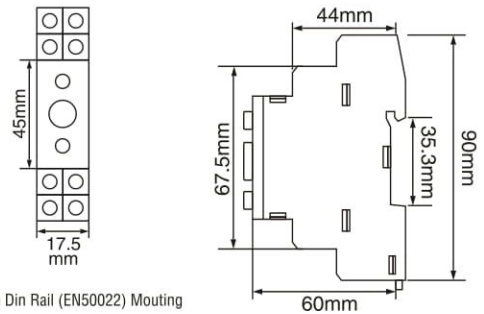
**Supply Voltage**

Supply Voltage	20-240V AC 12-240V DC AC : (50 / 60 Hz)
Power Consumption	3.2 VA

**Environmental Specifications**

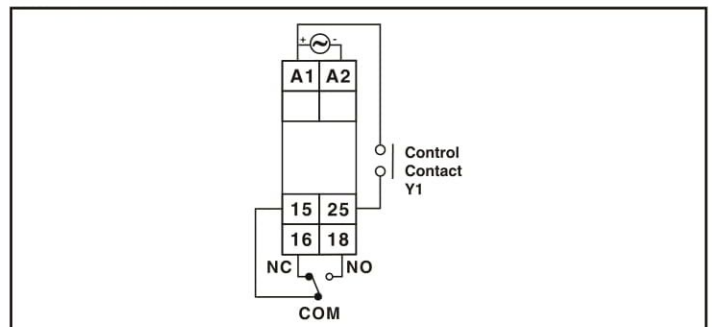
Temperature	Operating: 0 to 50°C (32 to 122°F) Storage: -20 to 75°C (-4 to 167°F)
Humidity (non-condensing)	95% RH
Weight	64 gms
Protection Level	IP40 for Casing IP20 for terminals

**Dimensions**



Symmetrical 35mm Din Rail (EN50022) Mounting

**Terminal Connections**



Cable Size (AWG): 16 ; Tightening Torque (Lb-inch): 5.3...7.08 ibf.in

Cable Size (mm<sup>2</sup>): 1.5 ; Tightening Torque (N-m): 0.6...0.8 N. M

**Ordering Information**

Part No.	Supply Voltage	Certification	
600XU	20-240V AC 12-240V DC	■	
600XU-A-1-CU	20-240V AC 12-240V DC	■	■

Timing Diagram

